



Food Processor Cutter Mixer 7 LT - Variable Speed with UK Plug

ITEM # _____

MODEL # _____

NAME # _____

SIS # _____

AIA # _____



600547 (K70YVVIG)

* NOT TRANSLATED *

Main Features

- Table-mounted robust cutter and emulsifier allows fast liquidizing, mixing, chopping, mincing, and pastry-making.
- Flat and waterproof control panel with on/off button and pulse function.
- Microswitch and safety devices on handle, lid and bowl.
- Emulsifier function (scraper) included as standard.
- Lid with central opening to add ingredients in mid-cycle.
- All parts in contact with food are removable without the use of tools, completely dismantable and dishwasher safe.
- Pulse function to coarse chopping.
- Base fixed cover for a better handling.
- Productivity suitable for 50-150 meals per service

Construction

- Variable speed from 300 to 3700 rpm.
- Stainless steel 7 liter bowl has a high chimney to ensure high productivity also when processing liquids (75% of the nominal capacity).
- Microtoothed blades in 420 AISI stainless steel and ergonomic scraper in high resistant composite material to ensure consistent mixing.
- Transparent lid incorporates a magnetic contact safety system.
- Improved ventilation system to manage smoothly heavy duty use.
- Reinforced feet to withstand the repeated handling of the unit.
- Main on/off switch for added safety.
- Main switch ON/OFF on the back of the appliance.

Included Accessories

- 1 of - NOT TRANSLATED - PNC 650104
- 1 of Stainless steel bowl, 7 lt capacity PNC 653593
- 1 of - NOT TRANSLATED - PNC 653874

Optional Accessories

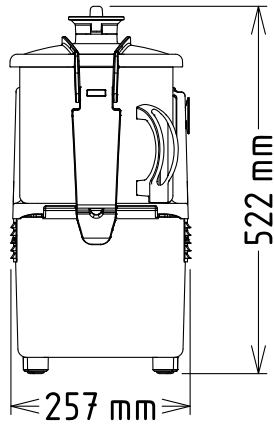
- - NOT TRANSLATED - PNC 650104
- Stainless steel bowl, 7 lt capacity PNC 653593
- - NOT TRANSLATED - PNC 653881
- - NOT TRANSLATED - PNC 653882

APPROVAL: _____

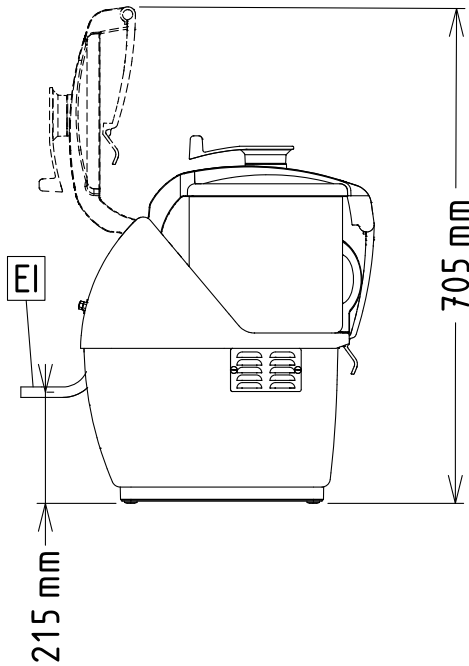


Experience the Excellence
www.electroluxprofessional.com

Front

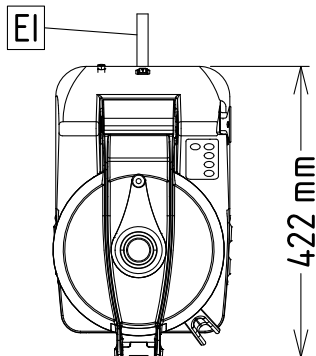


Side



EI = Electrical inlet (power)

Top



Electric

Supply voltage:

600547 (K70YVVIG) 200-240 V/1N ph/50/60 Hz

Electrical power max.: 1.5 kW

Total Watts: 1.5 kW

Capacity:

Performance (up to): 3.5 kg/Cycle

Capacity: 7 litres

Key Information:

External dimensions, Width: 256 mm

External dimensions, Depth: 422 mm

External dimensions, Height: 522 mm

Shipping weight: 23 kg

Waterproof index: IP23